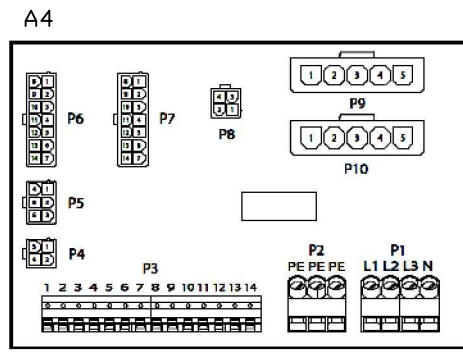
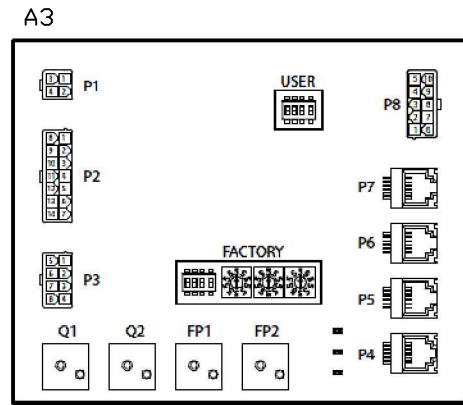
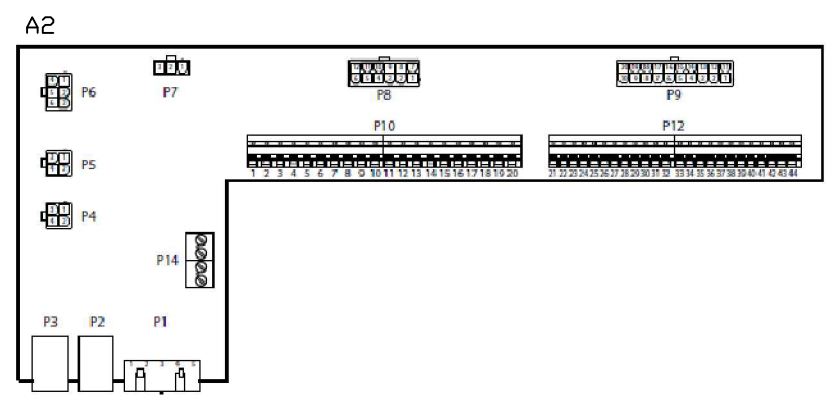
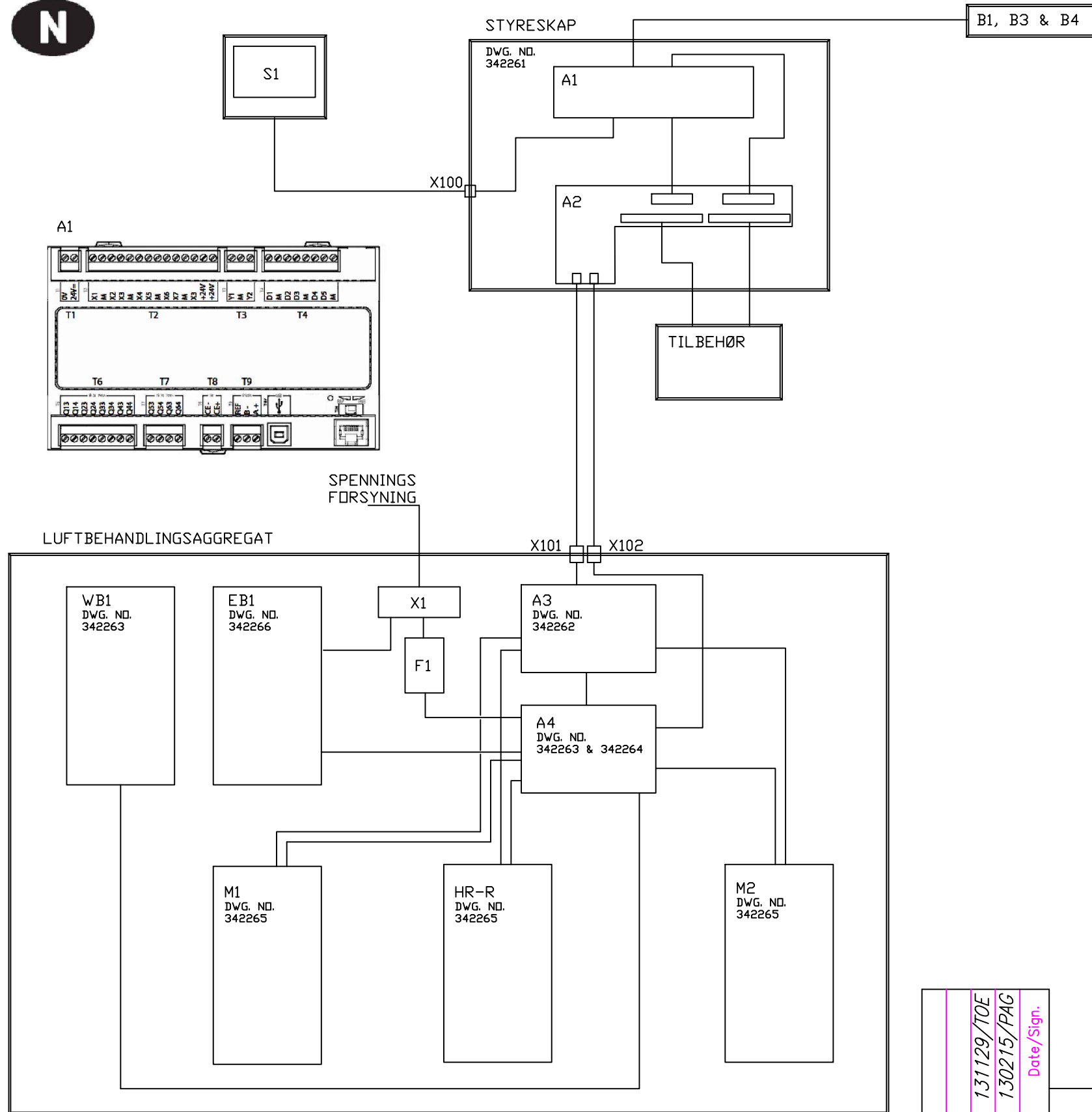


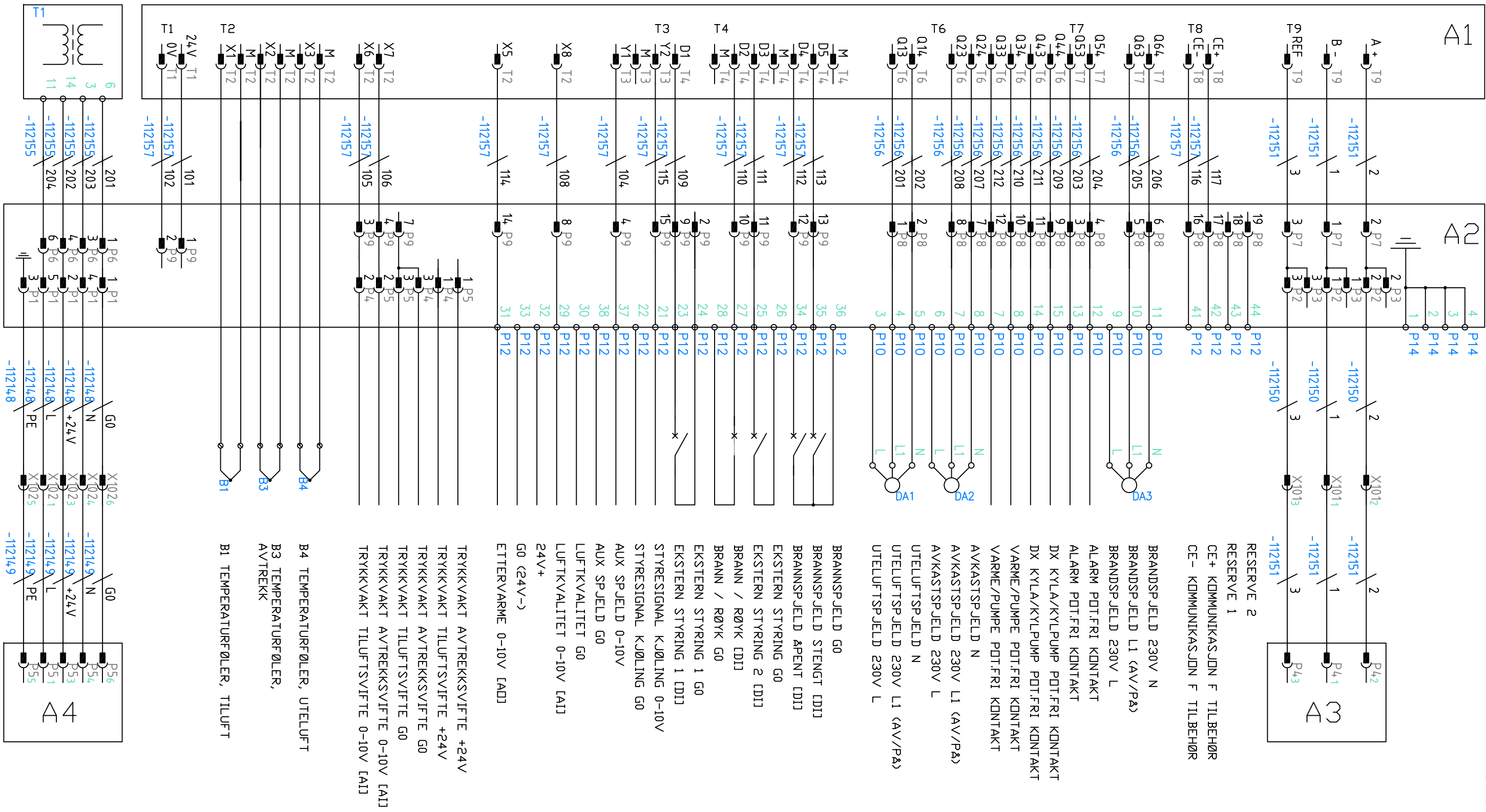
**N**



2	DRAWING UPDATED	131129/TOE
1	DRAWING UPDATED	130215/PAG
Symb.	Changes	Date/Sign.

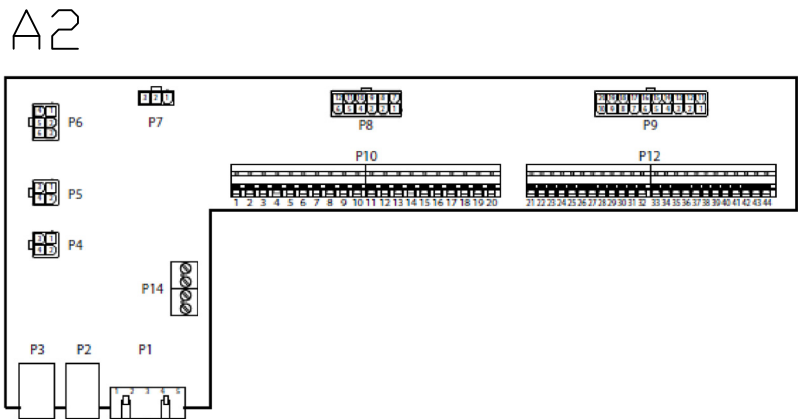
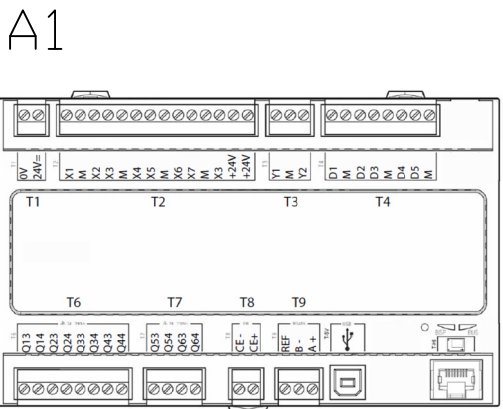
No. Unit	Pos. No.	Name, type, dim.	Drawing no. Standard	Art. No.	Matr. Spec.
Date	2012-07-02	Drawn KarBen	Projection	Scale	
Checked		Appr.			
CONNECTION DIAGRAM S10, S15, S20 & S32 ART.NO. 112373					
				342260	

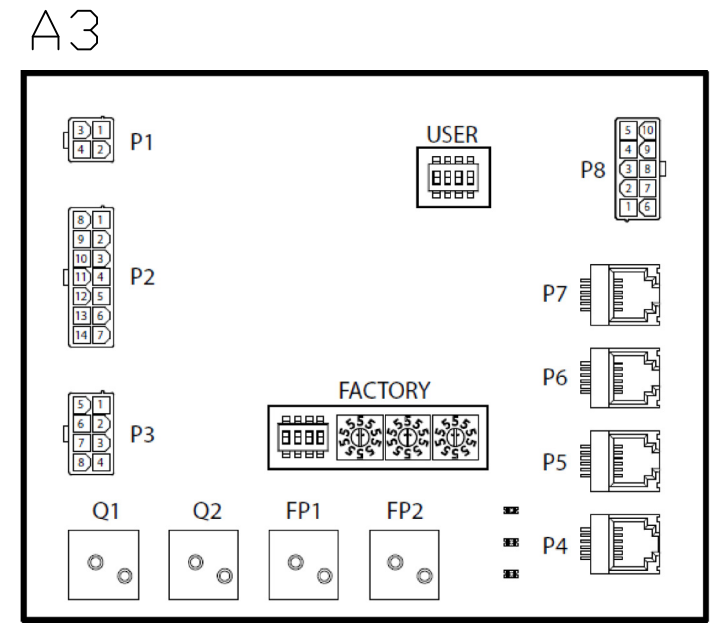
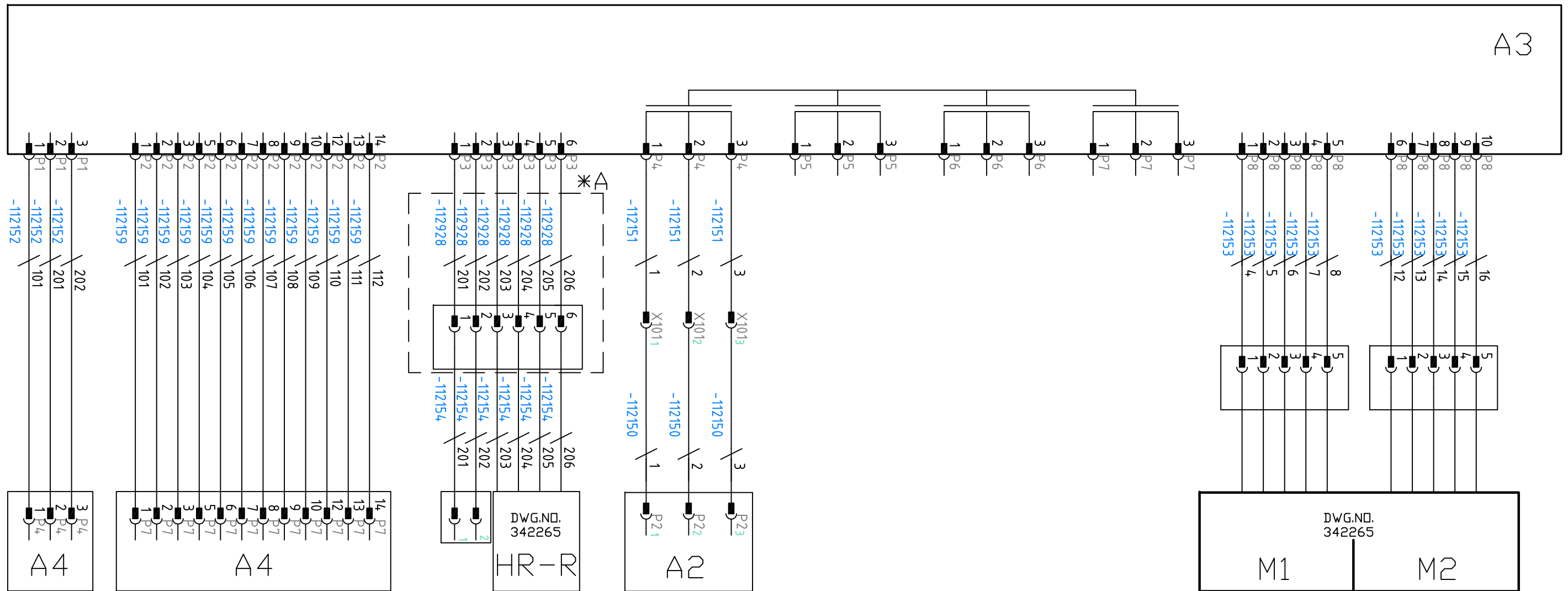
Lay-out Moun'tain



No. Unit	Pos. No.	Name, type, dim.	Drawing no. Standard	Art. No.	Matr. Spec.
Date		Drawn	Projection	Scale	Replaces:
2012-07-02		KarBen			
Checked		Appr.			Replaced by:
CONTROL UNIT A1 AND A2				342261	

Date/Sign.	
Changes	
2	DRAWING UPDATED 131118/PAG
1	DRAWING UPDATED 130218/PAG
Symb.	





"USER" Dip switch

DIP Switch	ON	OFF	Remark
1	VARMEBATTERI	IKKE VARMEBATTERI	ON = MED VARMEBATTERI OFF = IKKE NOE VARMEBATTERI
2	ELEKTRISK	VANN	TYPE VARMEBATTERI.
3	JA	NEI	M1 MOTORVERN LASKET.
4	JA	NEI	M2 MOTORVERN LASKET.

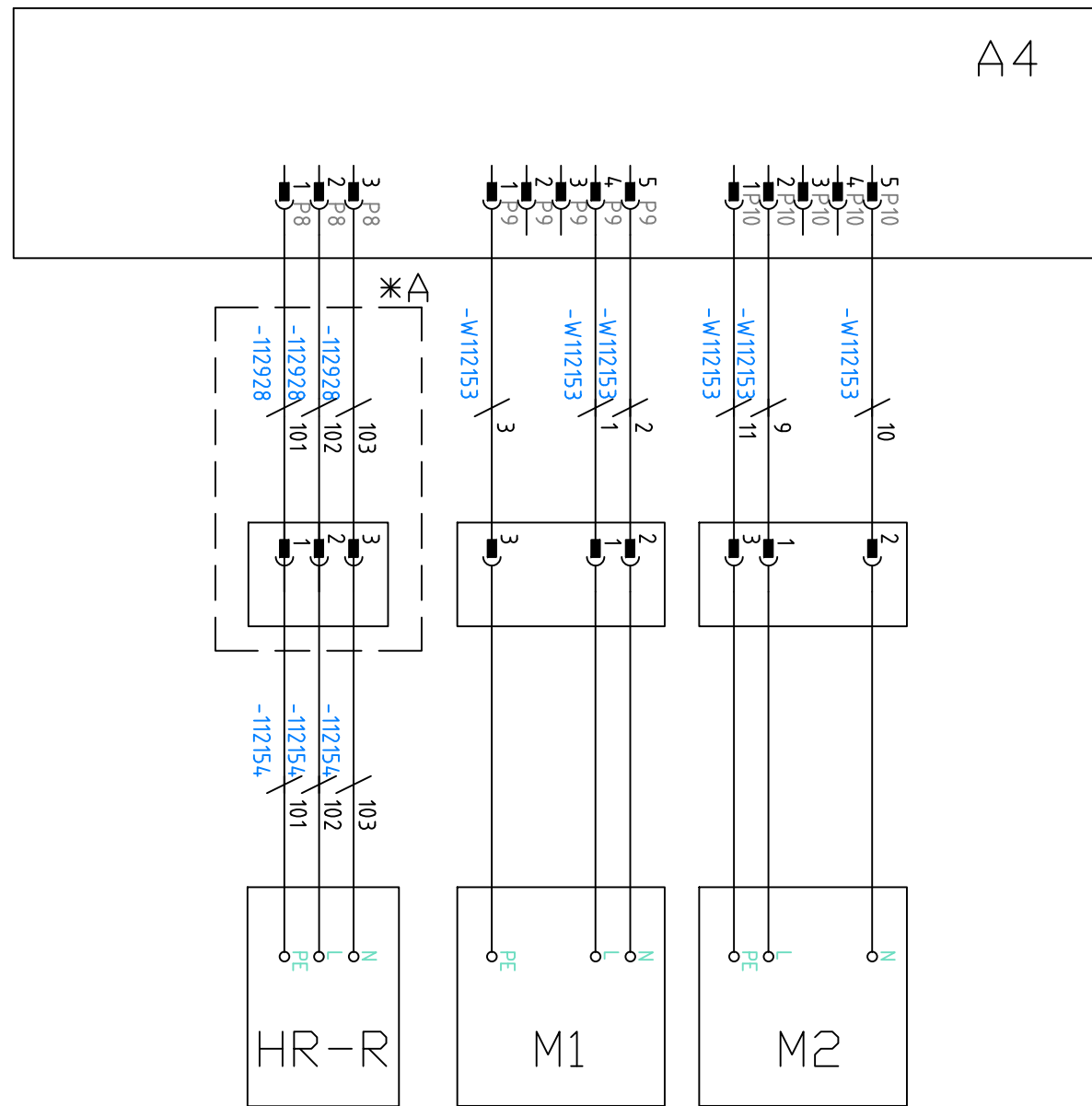
= Fabrikkinstilling  
 \*A = Gjelder kun modeller i L-serien

1 DRAWING UPDATED 130218/PAG Changes Date/Sign.	No. Unit	Pos. No.	Name, type, dim.	Drawing no. Standard	Art. No.	Matr. Spec.
	Date	2012-07-03	Drawn	KarBen	Projection	Scale
	Checked		Appr.			
	MODBUS I/O-EXTENDER A3			Replaces:		
					342262	

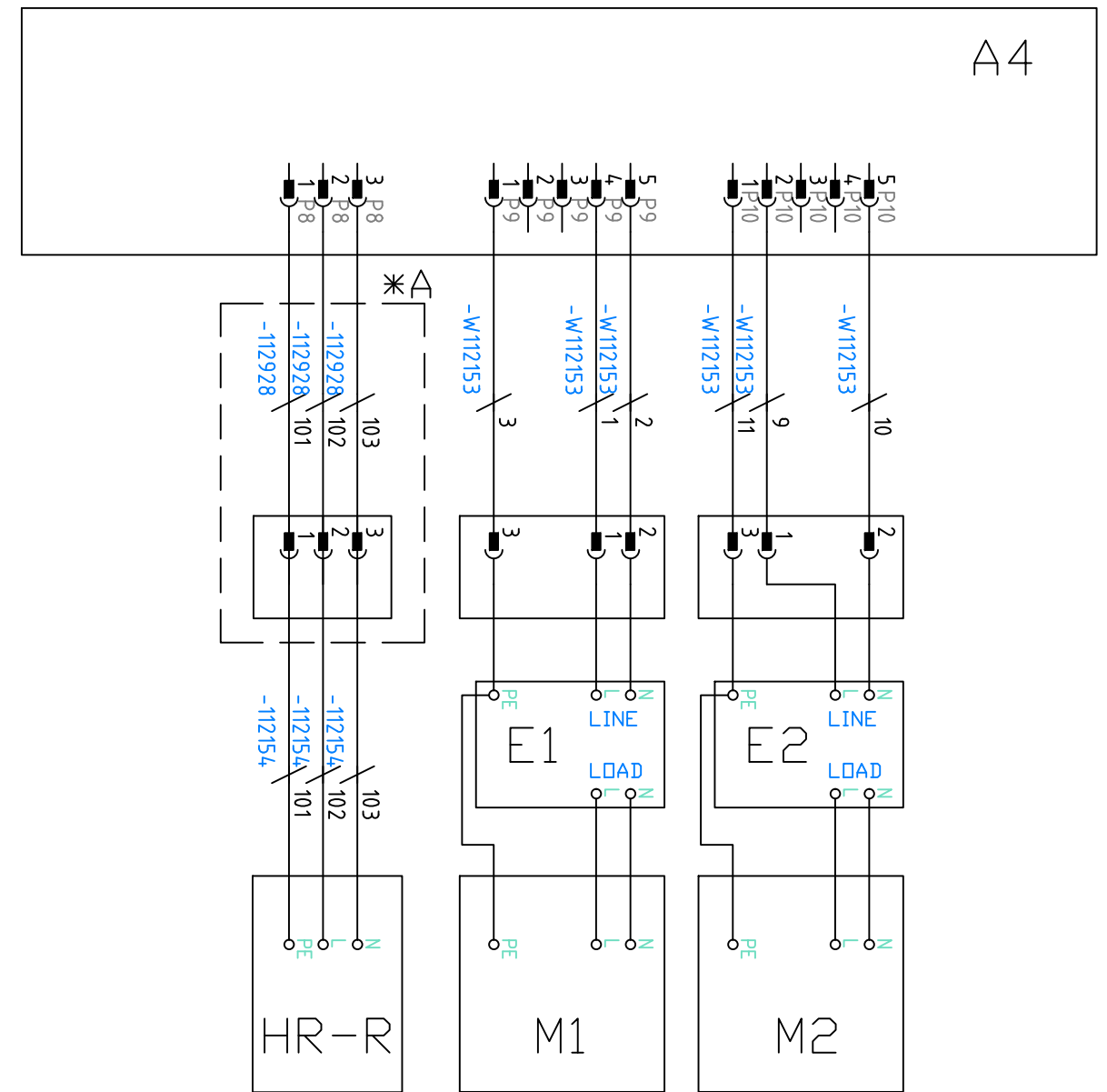




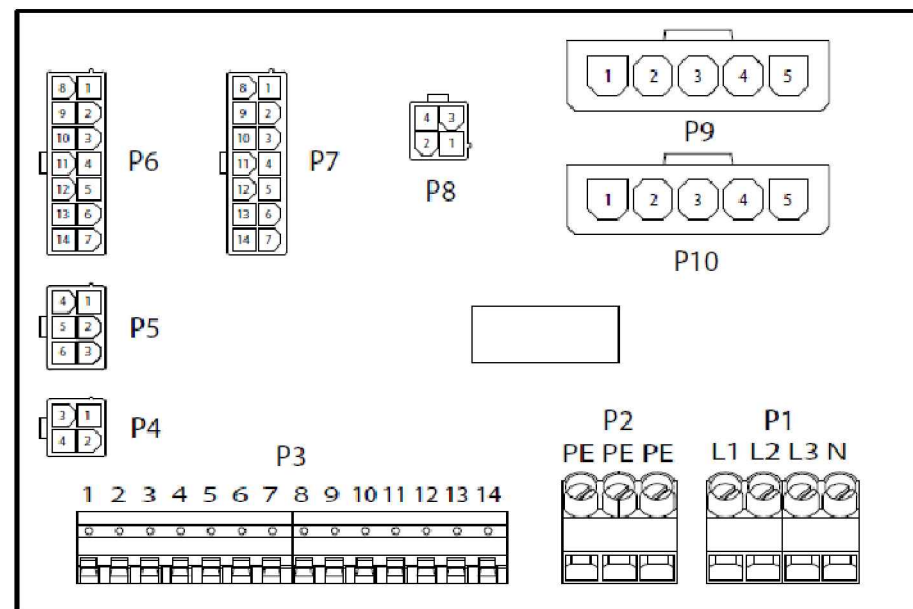
S10, L14, S15, L20 & S20



L26, L32 & S32



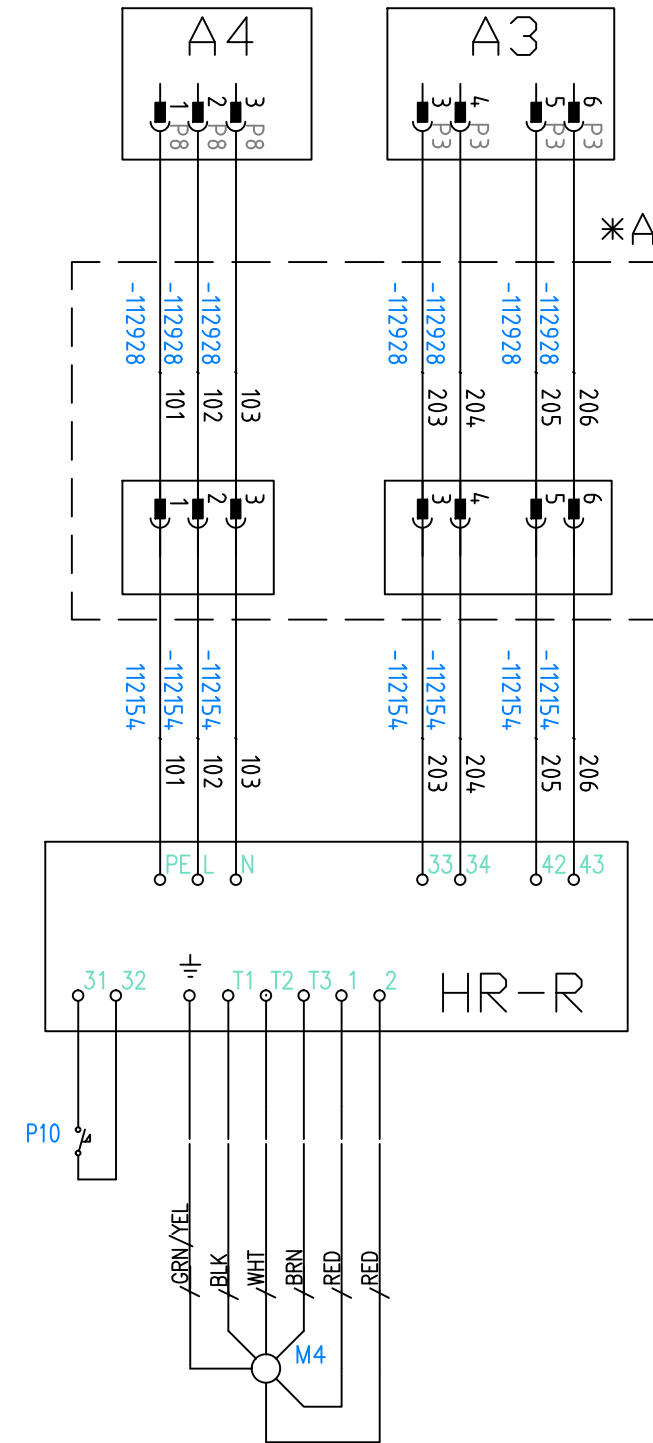
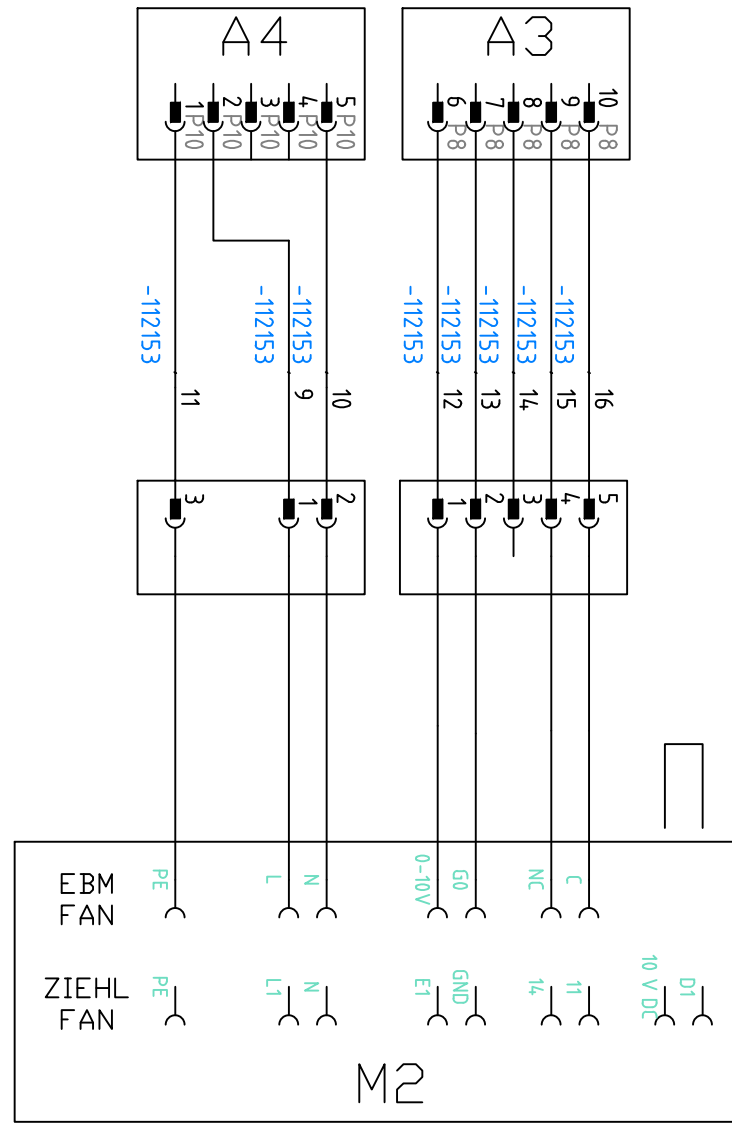
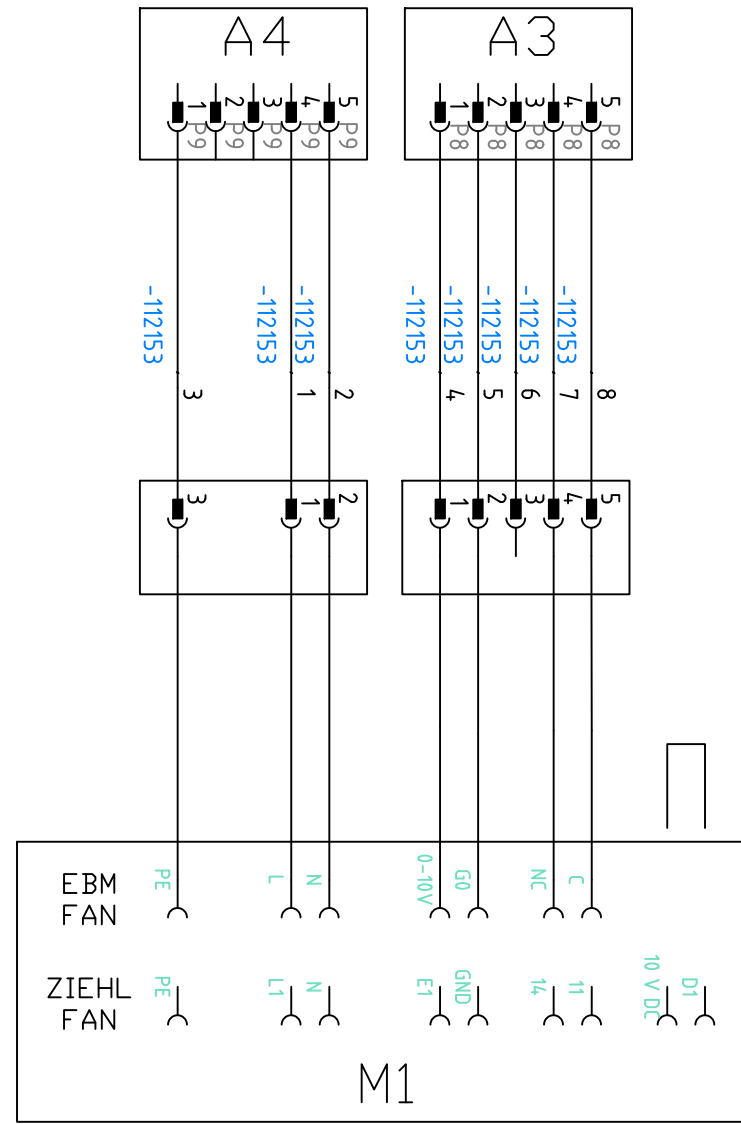
A4



\*A = Gjelder kun modeller i L-serien

3	DRAWING UPDATED	131129/TOE
2	DRAWING UPDATED	130508/PAG
1	DRAWING UPDATED	130218/PAG

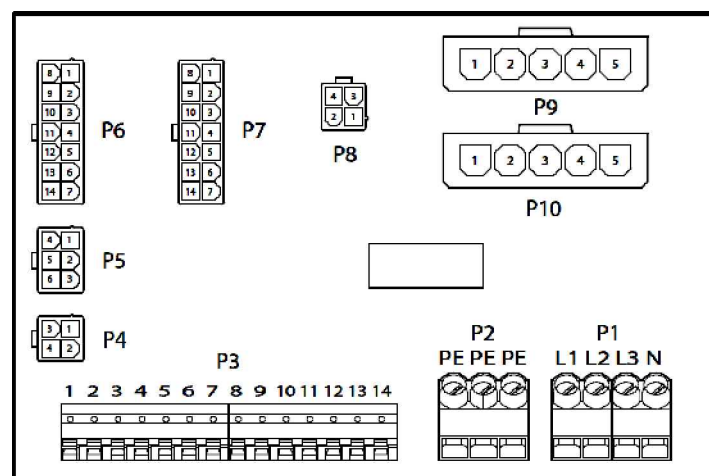
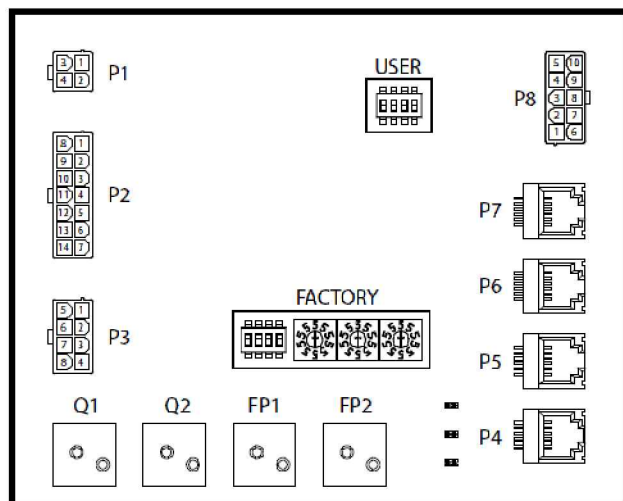
No. Unit		Pos. No.		Name, type, dim.		Drawing no. Standard		Art. No.		Matr. Spec.	
Date		2012-07-03		Drawn		KarBen		Projection		Scale	
Checked				Appr.							
POWER DISTRIBUTION BOARD								Replaces:		Replaced by:	
A4										342264	



DESCRIPTION	S10/L14/S15	L20/S20	L26	L32/S32
M1	470W	715W	1350W	1350W
M2	470W	715W	1350W	1350W
HR-R	25W	40W	40W	40W

A3

A4

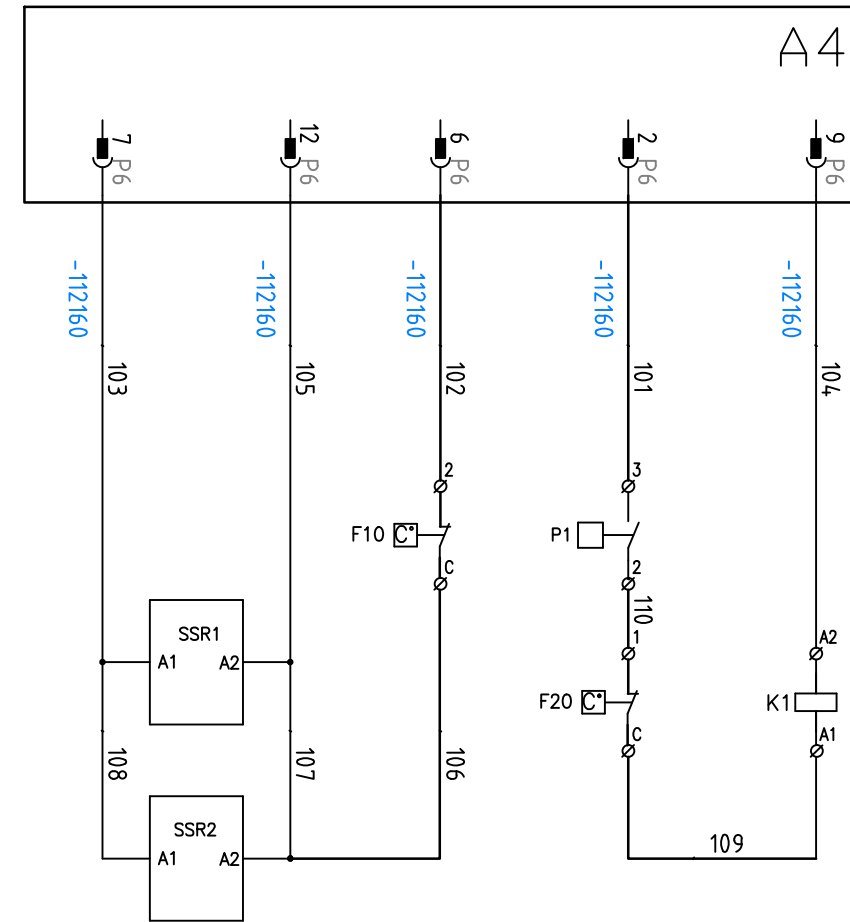
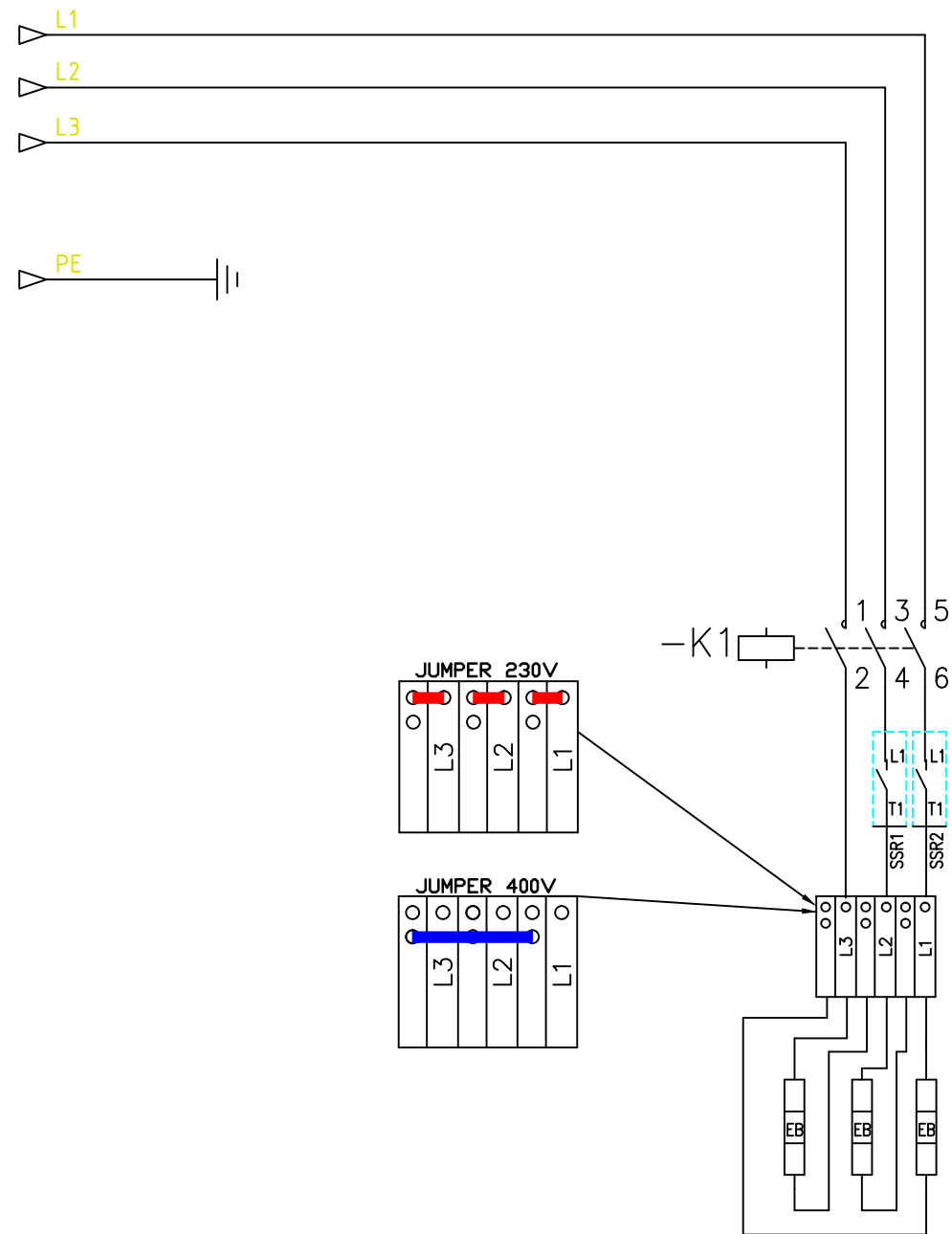


5	DRAWING UPDATED	131128/TOE	Date/Sign.
4	DRAWING UPDATED	131017/LA	
3	DRAWING UPDATED	130508/PAG	
2	DRAWING UPDATED	130218/PAG	
1	DRAWING UPDATED	121015/PAG	

No. Unit	Pos. No.	Name, type, dim.	Drawing no. Standard	Art. No.	Matr. Spec.
Date	2012-07-03	Drawn	Projection	Scale	
Checked		Drawn	Appr.		
FANS + ROTOR					Replaces:
M1, M2 AND HR-R					Replaced by:
					342265

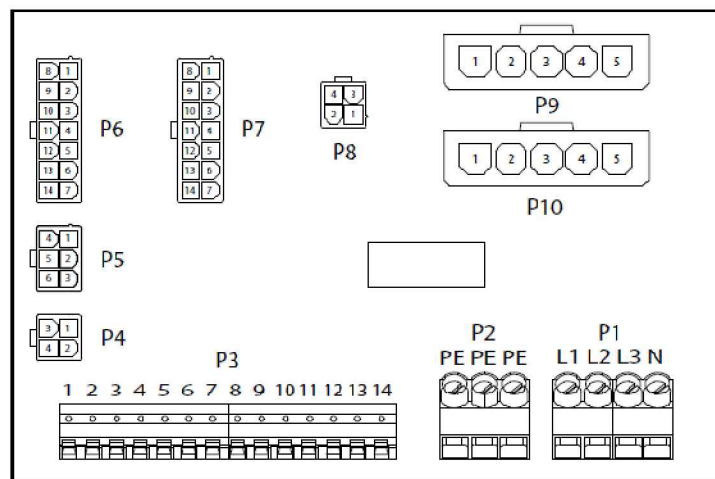
\*A = Gjelder kun modeller i L-serien





DESCRIPTION	S10	L14/S15	L20/S20	L26	L32/S32
EB	833W	1500W	1850W	2500W	3000W

A4



4	DRAWING UPDATED	131128/TOE
3	DRAWING UPDATED	130508/PAG
2	DRAWING UPDATED	130218/PAG
1	DRAWING UPDATED	121015/PAG

No. Unit		Pos. No.	Name, type, dim.	Drawing no. Standard	Art. No.	Matr. Spec.
Date		2012-07-03	Drawn KarBen	Projection	Scale	
Checked			Appr.			
ELECTRIC HEATER					Replaces:	Replaced by:
EB1					342266	

DESCRIPTION	N	E	S	DK	SF
A1	Regulator	Regulator	Regulator		
A2	Koblingskort	Connection board	Anslutningskort		
A3	Modbusextender	Modbus extender	Modbusextender		
A4	Strømforsyningskort	Power supply board	Strömförsörjningskort		
A5	Rotorstyring	Rotor controller	Rotorstyring		
B1	Temperaturføler, tilluft	Temperature sensor, supply air	Temperaturgivare, tilluft	Temperaturføler, indsugningsluft	Tuloilma-anturi
B3	Temperaturføler, avtrekk	Temperature sensor, extract air	Temperaturgivare, frånluft		
B4	Temperaturføler, uteluft	Temperature sensor, outdoor air	Temperaturgivare, uteluft	Temperaturføler, udeluft	Lämpötila-anturi, ulkoilma
B5	Temperaturføler, returvann	Temperature sensor, return water	Temperaturgivare, returvatten		
DA1	Avkastspjeld	Exhaust air damper	Avluftsspjäll		
DA2	Uteluftspjeld	Outside air damper	Uteluftsspjäll		
DA3	Brandspjeld	Fire damper	Brandspjäll		
EB1	Ettervarmebatteri, elektrisk	Heating battery, electrical	Eftervarmebatteri, elektrisk	Eftervarmeplade, elektrisk	Lämmityspatteri, sähkö
F1	Sikring	Fuse	Säkring		
F10	Overopphetningstermostat EB1 Manuell reset	Thermostat overheating EB1 Manual reset	Överhettningstermostat EB1 Manuell återställning	Overophedningstermostat EB1 Manuel resetfunktion	Yliämpötermostaatti EB1 Manuaalinen nollaus
F20	Overhettningstermostat EB1 Automatisk reset	Thermostat overheating EB1 Automatic reset	Överhettningstermostat EB1 Automatisk återställning	Overophedningstermostat EB1 Automatisk reset	Termostaatti EB1 Automaattinen nollaus
M1	Tilluftsvifte	Supply air fan	Tilluftsfläkt	Indsugningsventilator	Tuloilmapuhallin
M2	Avtrekksvifte	Extract air fan	Frånluftsfläkt	Udsugningsventilator	Poistoilmapuhallin
M4	Rotormotor	Rotor motor	Rotormotor	Rotormotor	It-kiekon mootori
P1	Trykkvakt, EB1	Pressure Guard, EB1	Trykkvakt, EB1		
P10	Rotorvakt	Rotation detector	Rotationsvakt		
S1	Styrepanel	Control panel	Styrpanel	Styrepanel	Ohjauspaneeli
T1	Transformator	Transformer	Transformator	Transformator	Muuntaja
WB1	Ettervarmebatteri, vann	Heating battery, water based	Eftervarmebatteri, vatten		
X1	Rekkeklemme, forsyning	Connector, supply voltage	Anslutningsplint, matning		
X100	ISDN skjøtekontakt	RJ45 contact	RJ45 skarvkontakt	RJ45-samlemuffe	RJ45-liitäntä
X101	RJ12 skjøtekontakt	RJ12 contact	RJ12 skarvkontakt	RJ12-samlemuffe	RJ12-liitäntä
X102	Skjøtekontakt	Contact	Skarvkontakt	Samlemuffe	Liitäntä
E1, E2	EMC-filte	EMC filter	EMC-filte		