

Protection Mark  
 according to ISO16016  
 Created s.pop  
 Drawn s.pop  
 Released v.brand  
 Disabled

1:10 A4 mm

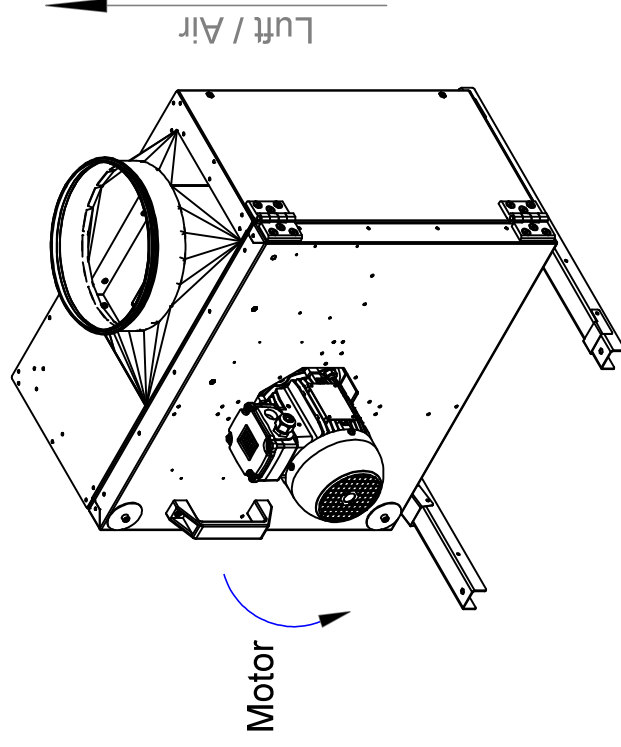
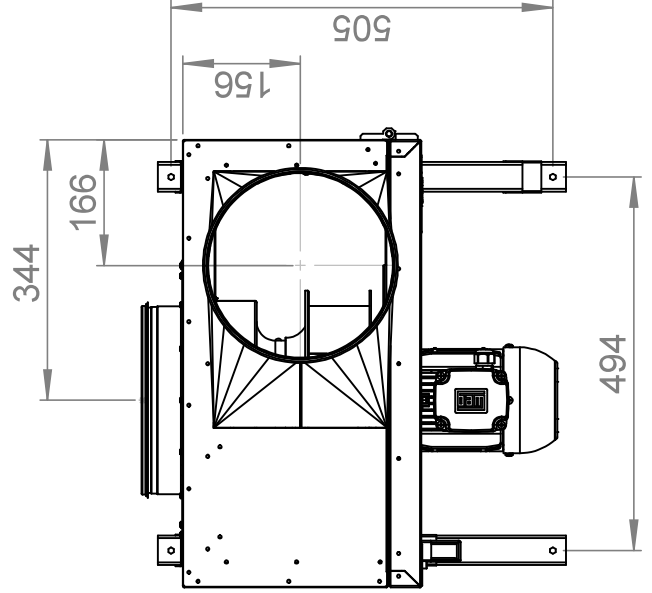
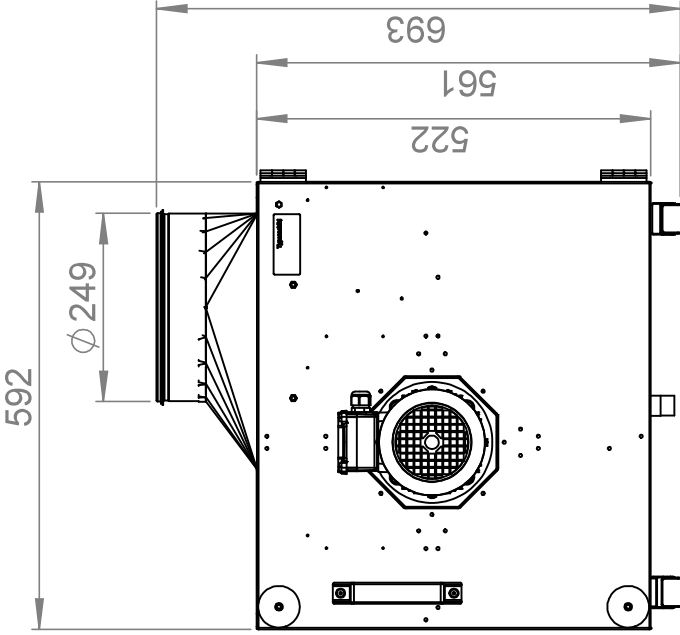
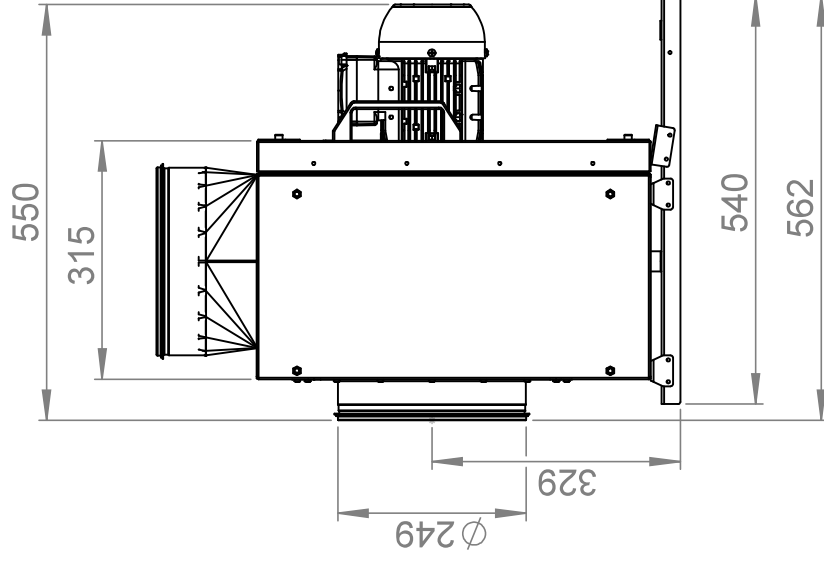
General tolerances  
 DIN ISO 2768-c

10.04.2018  
 10.04.2018  
 23.09.2019



**MPS225D2F430**

**145815 00**



Protection Mark  
according to ISO 16016

1:11 A4 mm

General tolerances  
DIN ISO 2768-c

Created s.pop  
10.04.2018

Drawn s.pop  
10.04.2018

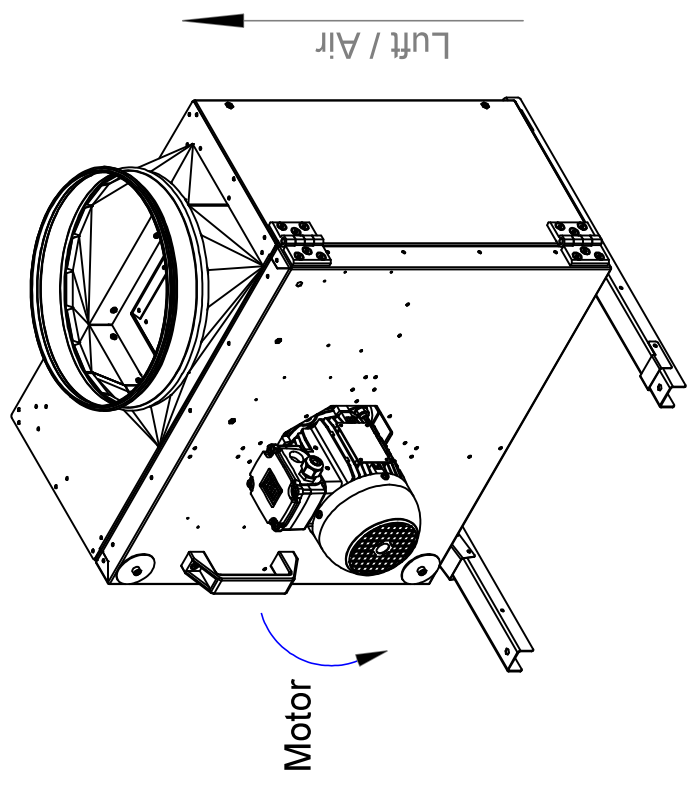
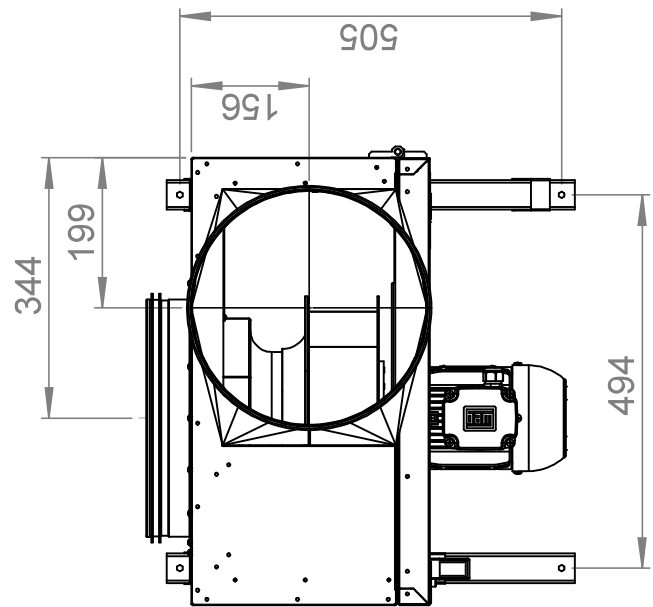
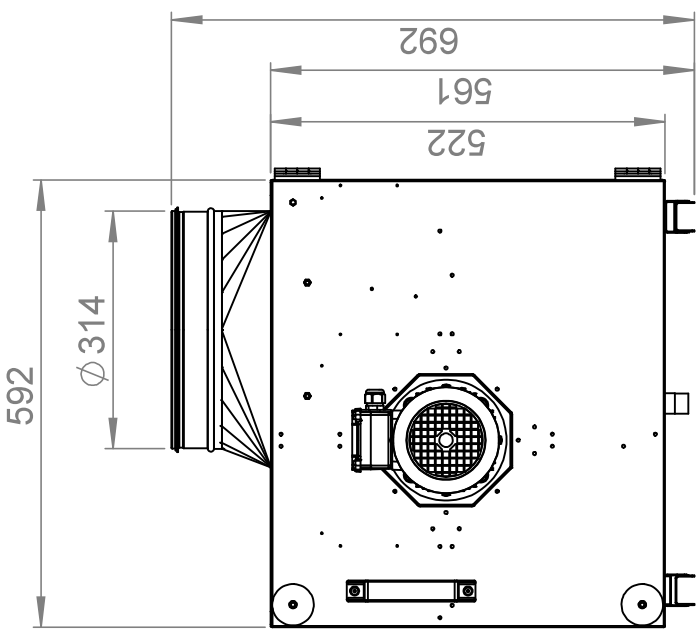
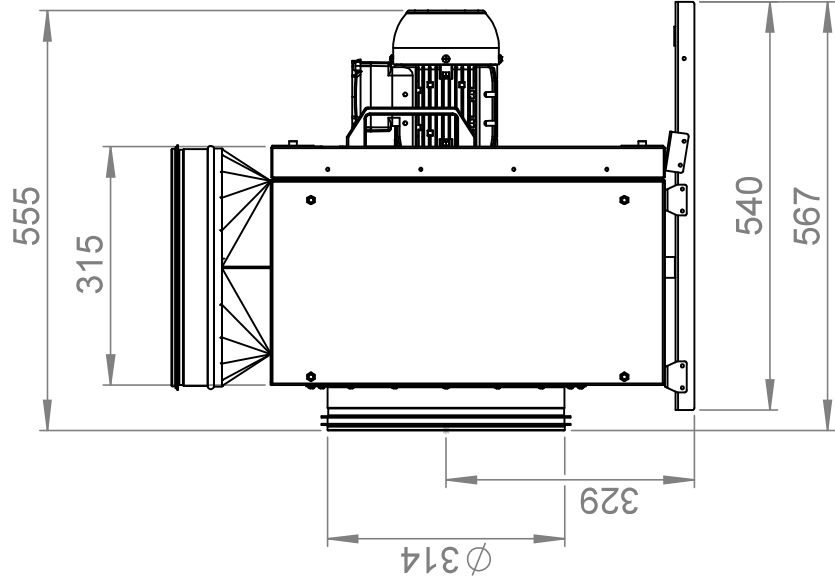
Released v.brand  
23.09.2019


Disabled



**MPS250D2F430**

**145819 00**





Protection Mark  
according to ISO16016

Created s.pop  
Drawn s.pop  
Released v.brand  
Disabled


1:10 A4 mm

General tolerances  
DIN ISO 2768-c

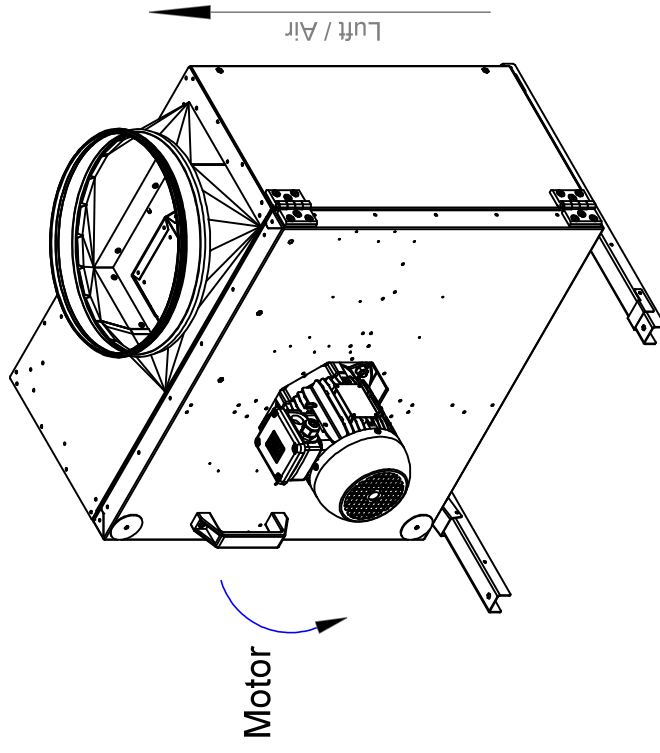
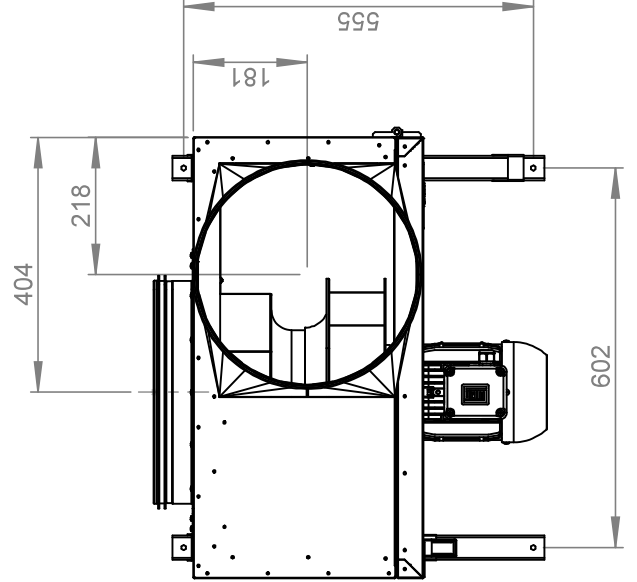
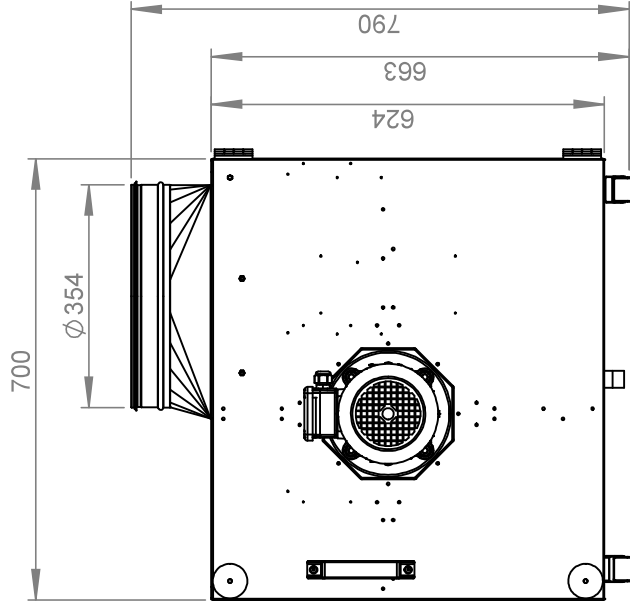
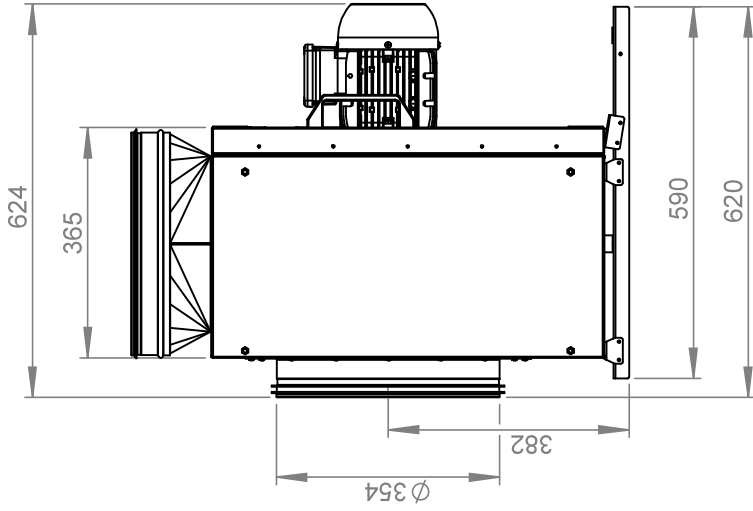
Created s.pop 10.04.2018  
Drawn s.pop 10.04.2018  
Released v.brand 23.09.2019

**MPS280D2F430**

**145832 00**



ruck Ventilatoren  
Max-Planck-Str. 5  
D-97944 Boxberg



Protection Mark  
according to ISO 16016

Created s.pop  
Drawn s.pop  
Released v.brand  
Disabled

1:12 A4 mm

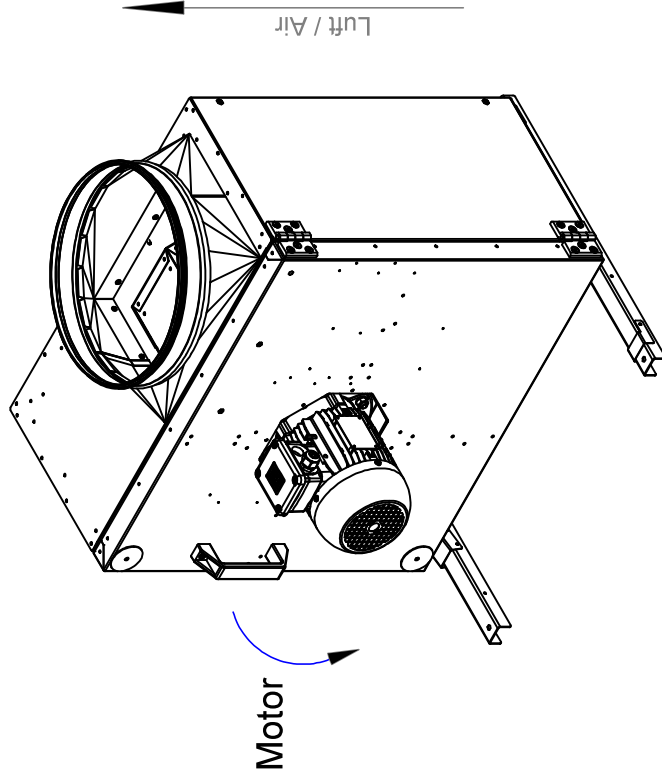
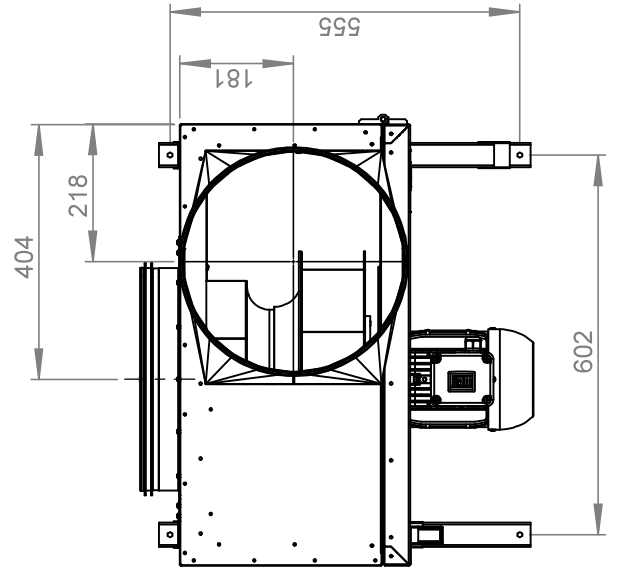
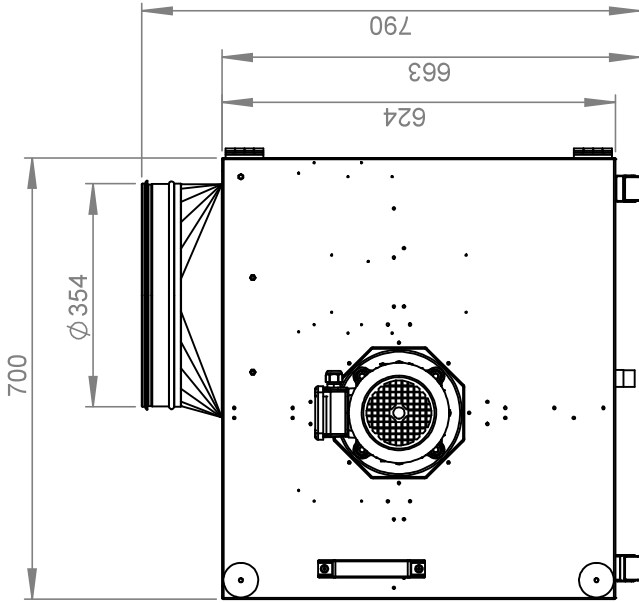
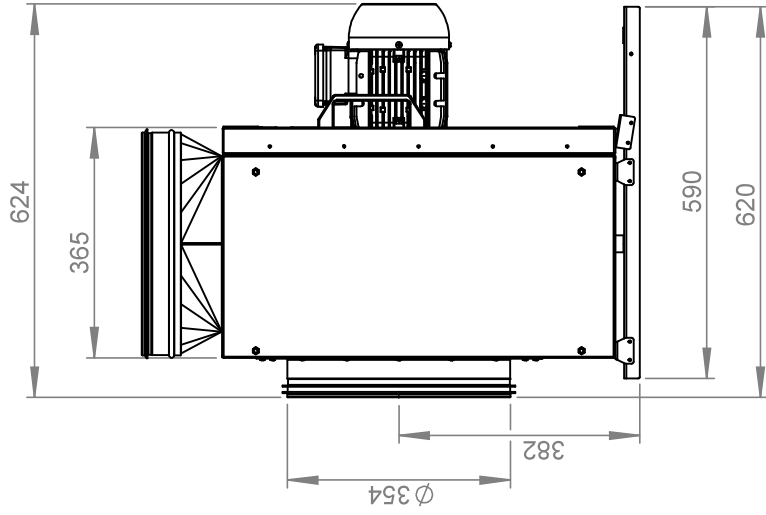
General tolerances  
DIN ISO 2768-c

10.04.2018  
10.04.2018  
23.09.2019

**MPS315D4F430**

**145845 00**





1:12 A4 mm

General tolerances  
DIN ISO 2768-c

**MPS355D4F430**

11.04.2018

11.04.2018

23.09.2019

**145862 00**

Protection Mark  
according to ISO16016

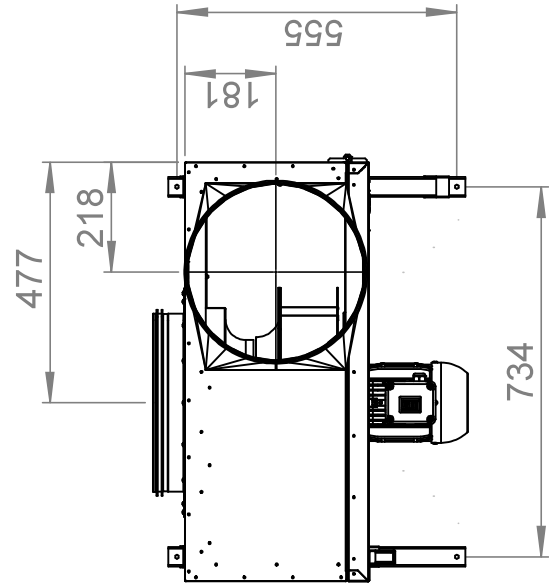
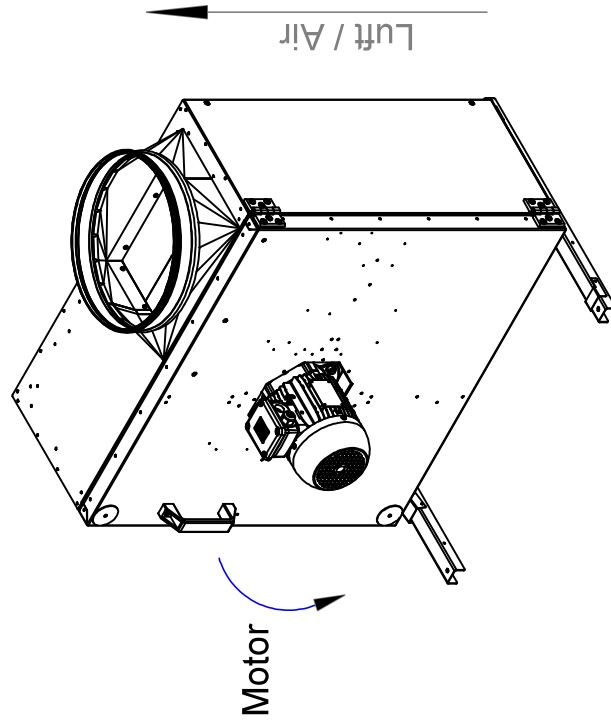
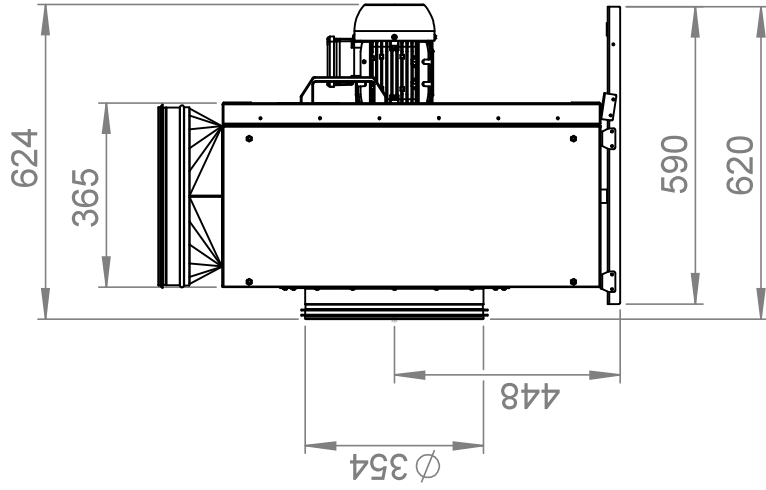
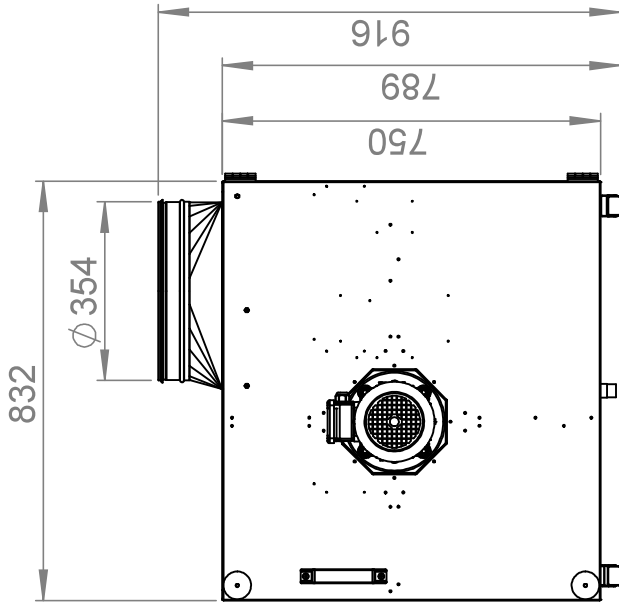
Created s.pop

Drawn s.pop

Released v.brand

Disabled





1:15 A4 mm

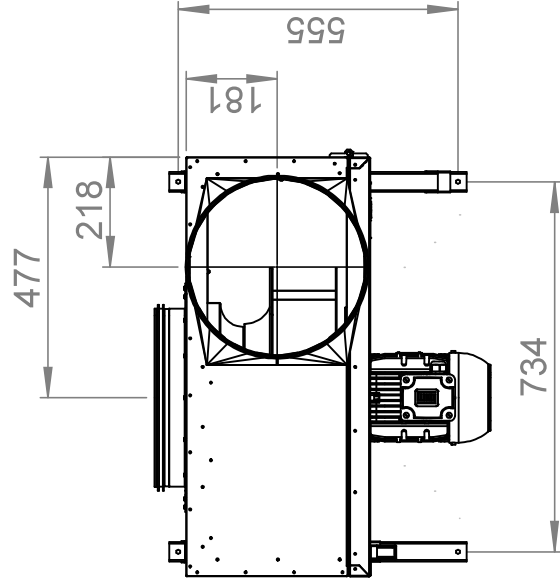
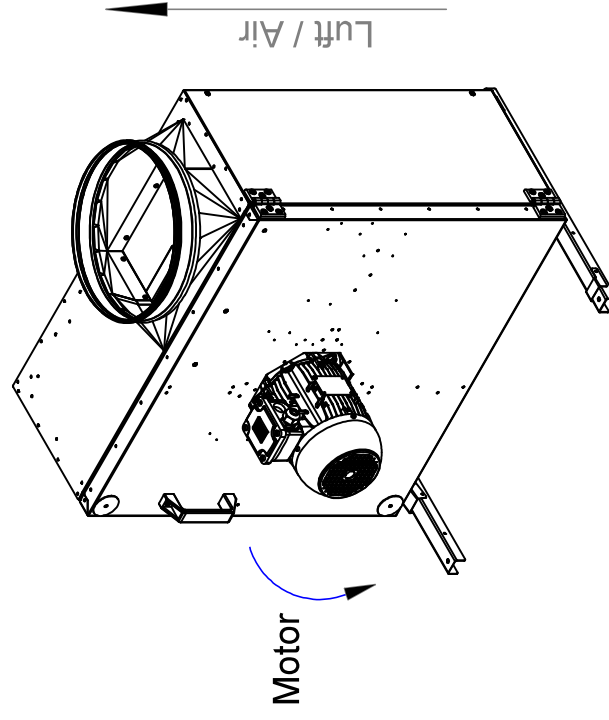
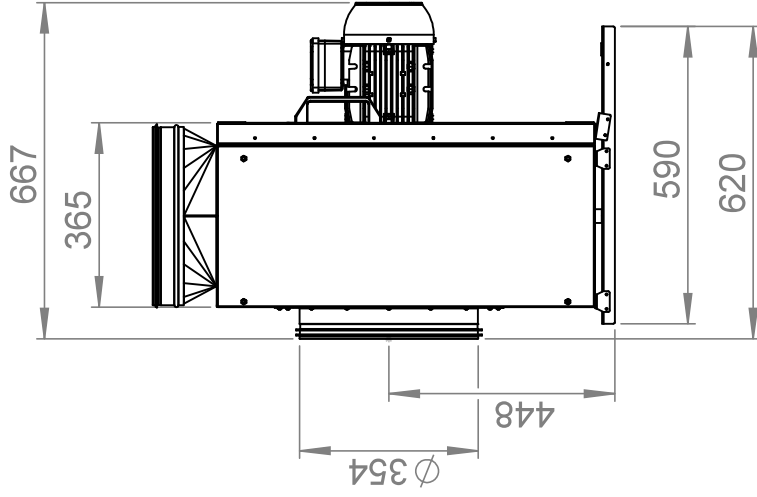
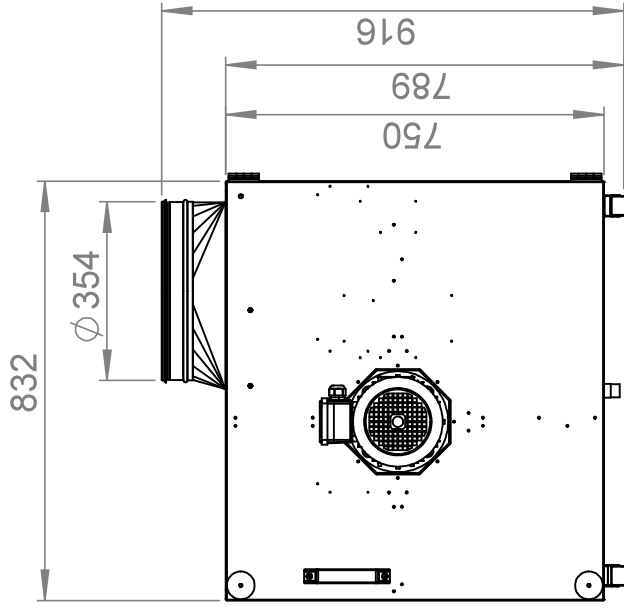
Protection Mark according to ISO16016  
General tolerances DIN ISO 2768-c

Created s.pop 11.04.2018  
Drawn s.pop 11.04.2018  
Released v.brand 23.09.2019  
Disabled



**MPS400D4F430**

**145864 00**

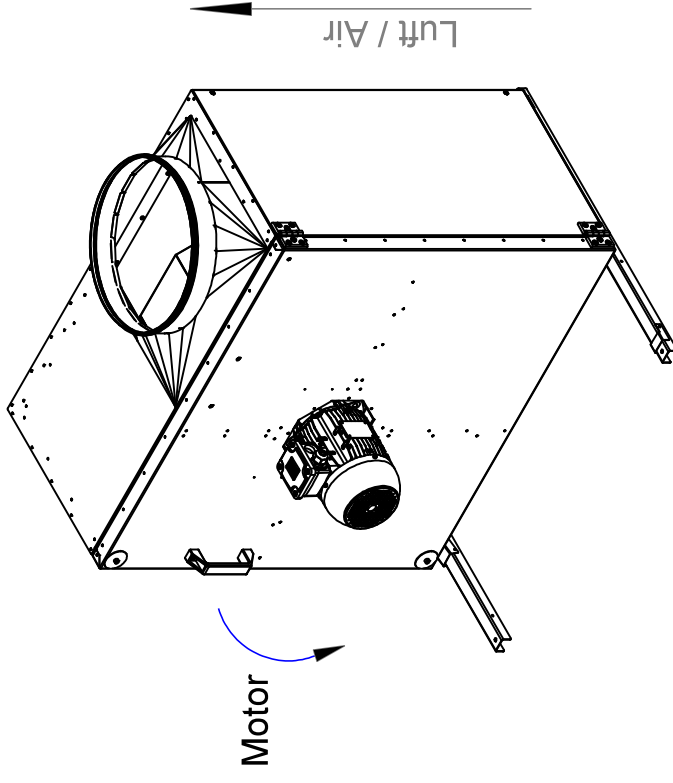
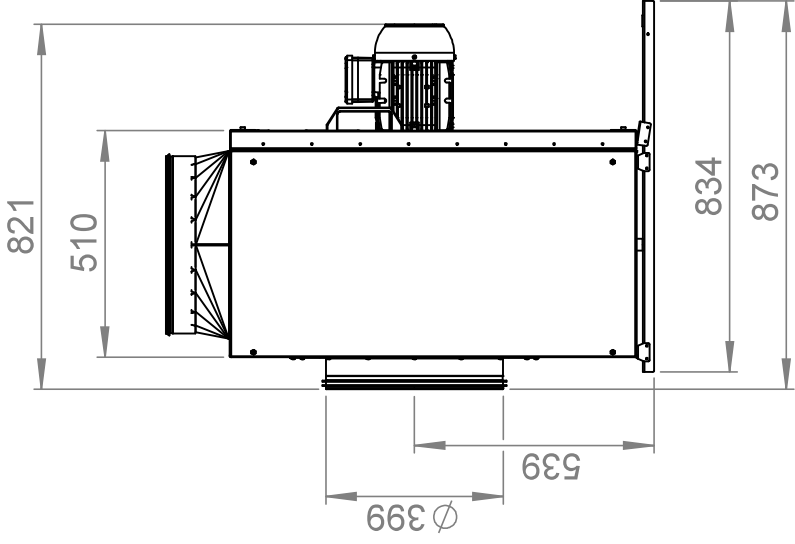
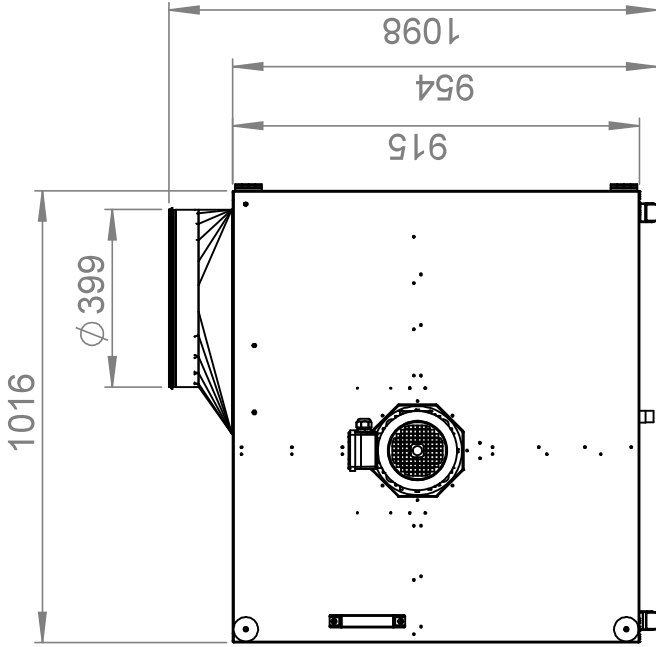


1:15 A4 mm

**MPS450D4F430**

Protection Mark according to ISO16016  
General tolerances DIN ISO 2768-c

Created s.pop 11.04.2018  
Drawn s.pop 11.04.2018  
Released v.brand 23.09.2019  
Disabled 145867 00



1:17 A4 mm

**MPS500D4F430**

General tolerances  
 DIN ISO 2768-c

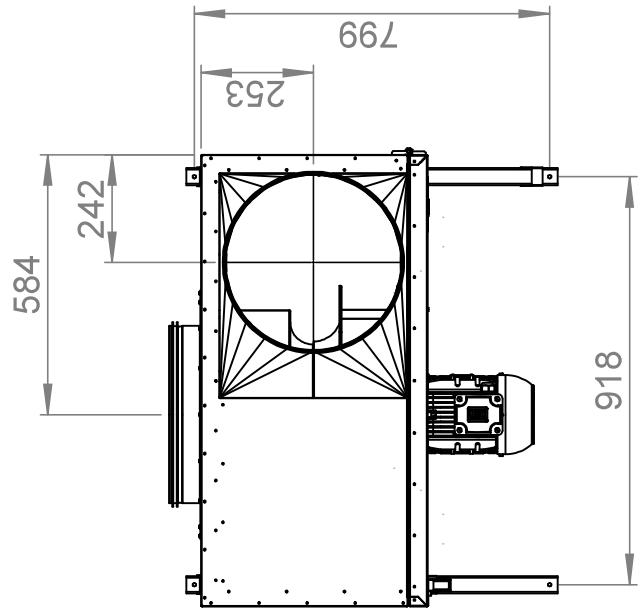
Created s.pop 11.04.2018

Drawn s.pop 11.04.2018

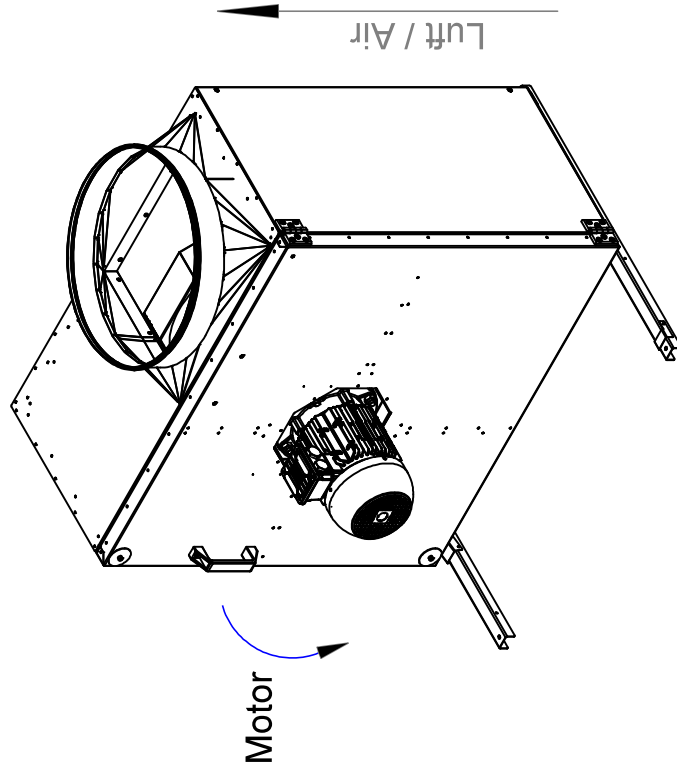
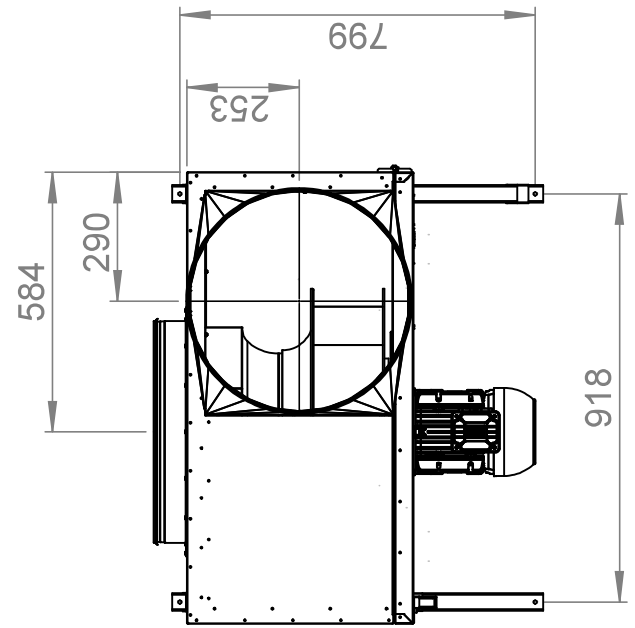
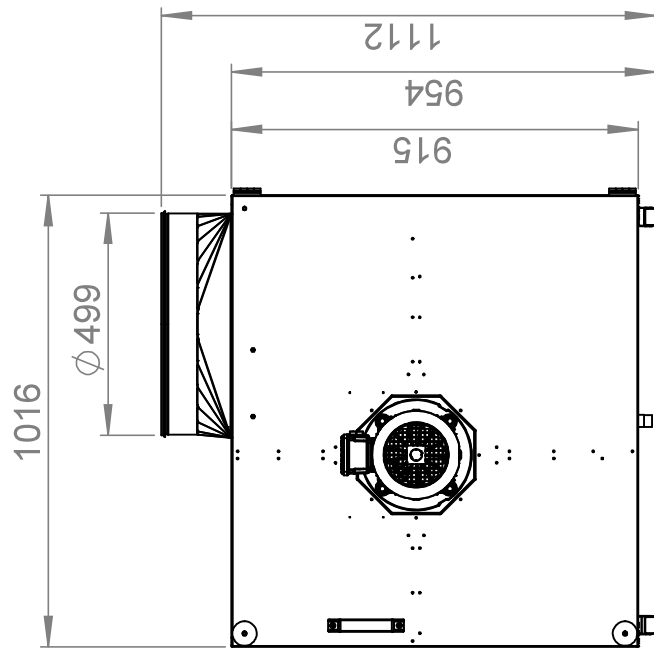
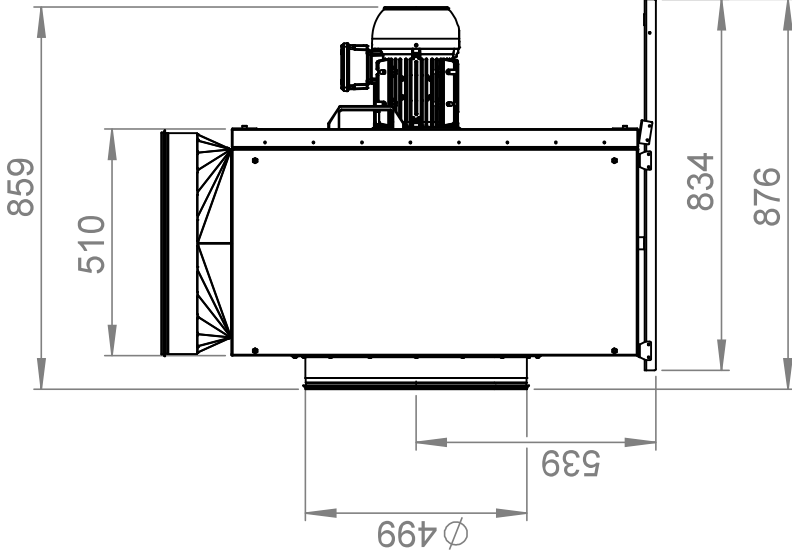
Released v.brand 23.09.2019

**145876 00**

Disabled







Protection Mark  
according to ISO 16016  
Created s.pop  
Drawn s.pop  
Released v.brand  
Disabled

1:17 A4 mm

**MPS560D4F430**

General tolerances  
DIN ISO 2768-c

11.04.2018

11.04.2018

23.09.2019

**145903 00**

